

**PS-L0612A-177(R) SERIES (5.0W SINGLE OUTPUT WITH DIMMING FUNCTION)**

**DESCRIPTION :**

This DC to AC Inverter was developed for many other low LCD Backlight power supply as low profile applications. Optimized for **Kyocera: TCG057QV1AA and KCG057QV1CA and KCG057QV1DB**

**APPLICABLE LCD:**

- 10 to 15 inches single lamp type
- Lamp Voltage 680V
- Lamp Current 4mA
- Lamp Start Up Voltage 1700Vrms (Vin : 12V)



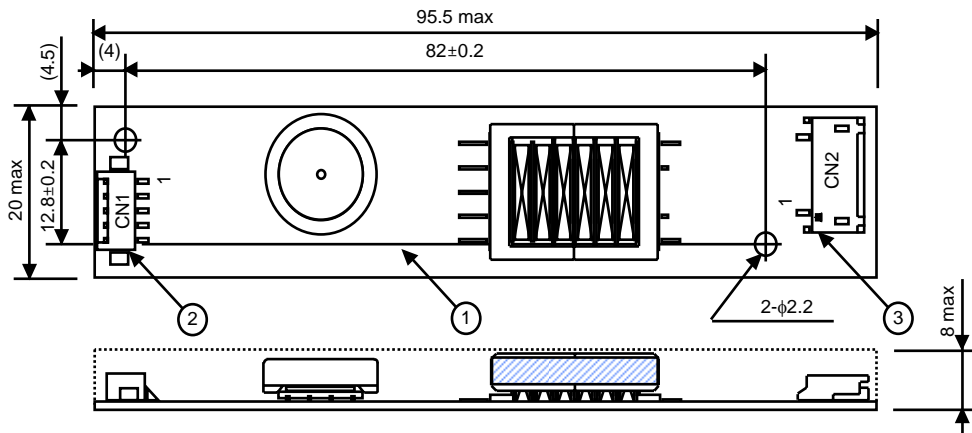
**FEATURES :**

- Current Feedback Circuit
- High Efficiency
- Low noise with voltage resonant circuit
- Regulated output current
- Extern PWM Dimming with min. 40%
- RoHS compliant (R)

**TEMPERATURE & HUMDITY :**

- Operating Temperature Range -10 °C ~ +70°C
- Storage Temperature Range -30 °C ~ +85°C
- Humidity 95 %RH max

**DIMENSIONS :** L x W x H **100 x 20 x 8 mm**



Unit : mm  
Weight : 14.5 (g) typ.

No.	Part Discription	Qty.	Note	Item
1	PWB	1	UL94V-0 t=1mm	
2	Connector CN1	1	53261-0510 (Molex)	
3	Connector CN2	1	SM02(8.0)B-BHS (JST)	

CN1 : 53261-0510 (Molex)

Pin	Symbol	Note
CN1-1	Vin	9.6 ~ 14.4 Vdc
CN1-2	GND	0 Vdc
CN1-3	Vrmt	(250 Hz PWM)
CN1-4	Vbr	0 ~3 Vdc
CN1-5	N.C.	

PS-L0612A-177

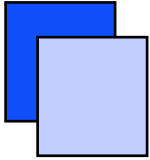
CN2 : SM02(8.0)B-BHS (JST)

Pin	Symbol	Note
CN2-1	Vhigh	680Vrms (2~4mArms)
CN2-2	N.C.	
CN2-3	Vlow	(2V)

**Power Systems – The Power Solution**

Web: [www.Power-Systems.de](http://www.Power-Systems.de)  
Email: [Info@Power-Systems.de](mailto:Info@Power-Systems.de)

Address: Hauptstraße 48 ; 74360 Ilsfeld-Auenstein / Germany  
Tel. : + 49 / 70 62 / 67 59 - 6  
Fax: + 49 / 70 62 / 67 59 - 800



**PS-L0612A-177(R) SERIES (5.0W SINGLE OUTPUT WITH DIMMING FUNCTION)**

**ELECTRICAL CHARACTERISTICS :**

Parameters	Symbol	Conditions				Specifications			Unit	Note	
		Vin (V)	Vbr (V)	Ta (°C)	RL (kΩ)	min.	typ.	max.			
Output Current	Iout	9.6 ~ 14.4	0	-10 ~ 60	90 ~ 110	3.4	4.0	4.6	mA	Max. Brightness	
		12	3	23±5	100	3.6	4.0	4.4		Min. Brightness	
Input Current	Iin					-	0.4	0.5	Adc		
Frequency	FL	9.6 ~ 14.4	0 ~ 3	0 ~ 50	90 ~ 110	53	58	63	kHz		
Open Voltage	Vopen					∞	1600	1650	-	Vrms	
							1700	-	-		

**APPLICATION (for example):**

