

DS-1272ZJ-110-TRS

Wall Mounting Bracket for 55X2 Series
Mini Dome Camera



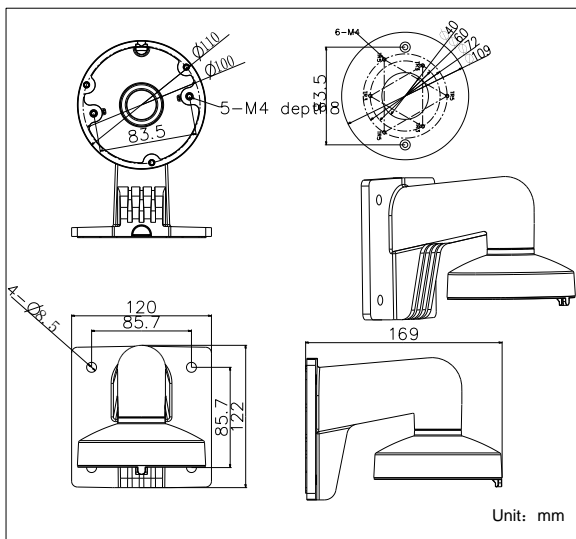
Order Model:

DS-1272ZJ-110-TRS

Features:

- Aluminum alloy material with surface spray treatment
- Good feature with the hole of cable entrance
- Better water proof design
- Convenient installation with the design of cap

Dimension:



Parameter:

Model	DS-1272ZJ-110-TRS
Parameters	Wall Mounting Bracket for Dome Camera
Appearance	Hik White
Range of Application	55X2 Series Mini Dome Camera
Material	Aluminum Alloy
Dimension	110×120×120mm
Weight	545g

Notice:

- Pay attention to the color matching when select bracket
- The bracket should be installed on flat wall
- The wall must be capable of supporting over 3 times as much as the total weight of the camera and the mount.
- The maximum load capacity of the bracket is 4.5KG
- The bracket includes gang box

Model Suitable:

DS-2CC55X2P(N)-IR, DS-2CE55X2P(N), DS-2CC5132P(N)-IRP