

DH-IPC-HDBW2100R-Z/VF

1.3MP HD Water-Proof & Vandal-Proof Network IR Dome Camera



Features

- 1/3" 1.3Megapixel progressive scan CMOS
- H.264 & MJPEG dual-stream encoding
- 25/30fps@1.3M(1280×960)
- DWDR, Day/Night(ICR), 3DNR, AWB, AGC, BLC
- Multiple network monitoring: Web viewer, CMS(DSS/PSS) & DMSS
- 2.7~12mm varifocal lens
- Max IR LEDs Length 30m
- IP66, IK10, PoE

DH-IPC-HDBW2100R-Z/VF

Technical Specifications

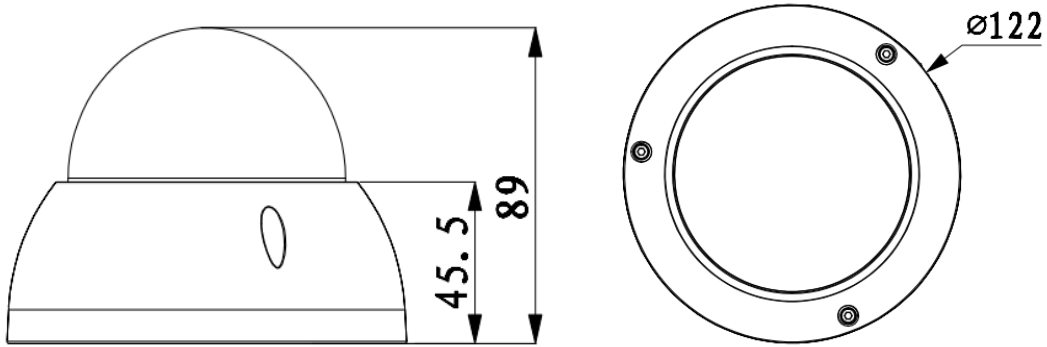
Model	DH-IPC-HDBW2100R-VF		DH-IPC-HDBW2100R-Z	
Camera				
Image Sensor	1/3" 1.3Megapixel progressive scan CMOS			
Effective Pixels	1280(H)x960(V)			
Scanning System	Progressive			
Electronic Shutter Speed	Auto/Manual, 1/3(4)~1/10000s			
Min. Illumination	0.01Lux/F1.4(Color); 0Lux/F1.4(IR on)			
S/N Ratio	More than 50dB			
Video Output	N/A			
Camera Features				
Max. IR LEDs Length	30m			
Day/Night	Auto(ICR)/Color/B/W			
Backlight Compensation	BLC / HLC / DWDR			
White Balance	Auto/Manual			
Gain Control	Auto/Manual			
Noise Reduction	3D			
Privacy Masking	Up to 4 areas			
Lens				
Focal Length	2.7mm~12mm		2.7mm~12mm	
Max Aperture	F1.4		F1.4	
Focus Control	Manual		Auto	
Angle of View	H: 92° ~28°		H: 92° ~28°	
Lens Type	Manual/Fixed Iris		Motorized/Fixed Iris	
Mount Type	Board-in Type		Board-in Type	
Video				
Compression	H.264/ H.264H/ MJPEG			
Resolution	1.3M(1280×960)/720P(1280×720)/D1(704×576/704×480)/CIF(352×288/352×240)			
Frame Rate	Main Stream	1.3M/720P(1 ~ 25/30fps)		
	Sub Stream	D1/CIF(1 ~ 25/30fps)		
Bit Rate	H.264H: 40K ~ 8192Kbps; MJPEG: 40K~16384Kbps			
Audio				
Compression	N/A			
Interface	N/A			
Network				
Ethernet	RJ-45 (10/100Base-T)			
Wi-Fi	N/A			
Protocol	IPv4/IPv6, HTTP, HTTPS, SSL, TCP/IP, UDP, UPnP, ICMP, IGMP, SNMP, RTSP, RTP, SMTP, NTP, DHCP, DNS, PPPOE, DDNS, FTP, IP Filter, QoS, Bonjour			
Compatibility	ONVIF, PSIA, CGI			
Max. User Access	20 users			

DH-IPC-HDBW2100R-Z/VF

Smart Phone	iPhone, iPad, Android, Windows Phone	
Auxiliary Interface		
Memory Slot	N/A	
RS485	N/A	
Alarm	N/A	
PIR Sensor Range	N/A	
General		
Power Supply	DC12V, PoE (802.3af)	
Power Consumption	<4W	<7.5W
Working Environment	-30°C~+60°C, Less than 95% RH	
Ingress Protection	IP66	
Vandal Resistance	IK10	
Dimensions	φ122mm×89mm	
Weight	0.5kg	

DH-IPC-HDBW2100R-Z/VF

Dimensions (mm)



Dahua Technology Co., Ltd.

1199 BinAn Road, Binjiang District, Hangzhou, China

Tel: +86-571-87688883

Fax: +86-571-87688815

Email: overseas@dahuatech.com

www.dahuasecurity.com

*Design and specifications are subject to change without notice.

© 2015 Dahua Technology Co., Ltd.