

DH-IPC-HDB4200C

2 Megapixel Water-Proof & Vandal-Proof Network Dome Camera



Features

- 1/2.8" 2Megapixel progressive scan Exmor CMOS
- H.264& MJPEG dual-stream encoding
- Max 25/30fps@1080P(1920×1080)
- DWDR, Day/Night(Electronic), 3DNR, Auto iris, AWB,AGC,BLC
- Multiple network monitoring: Web viewer, CMS(DSS/PSS) & DMSS
- 3.6mm fixed lens (2.8mm,6mm optional)
- Micro SD memory, IP66, IK10, PoE

DH-IPC-HDB4200C

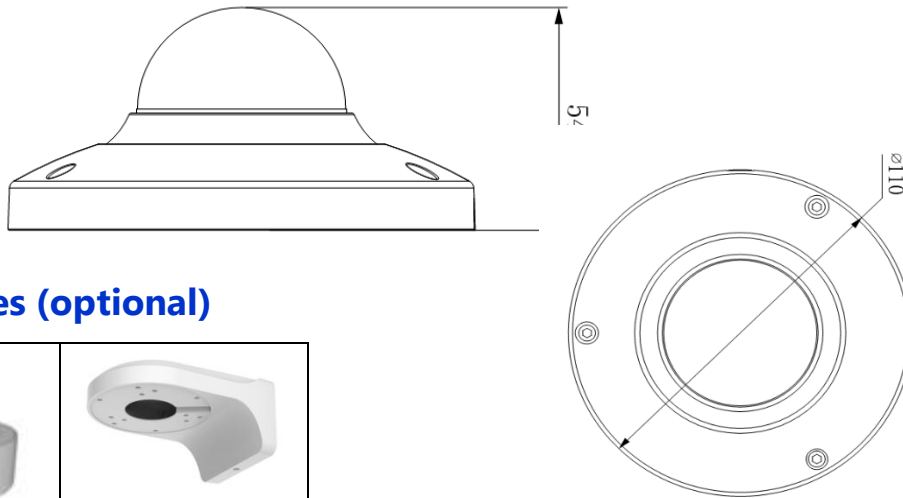
Technical Specifications

Model	DH-IPC-HDB4200C-(A)	
Camera		
Image Sensor	1/2.8" 2Megapixel progressive scan Exmor CMOS	
Effective Pixels	1920(H)x1080(V)	
Scanning System	Progressive	
Electronic Shutter Speed	Auto/Manual 1/3(4)~1/10000	
Min. Illumination	0. 1lux/F1.2(color)	
S/N Ratio	More than 50db	
Video Output	N/A	
Camera Features		
Max. IR LEDs Length	N/A	
Day/Night	Auto(Electronic)/Color/B/W	
Backlight Compensation	Off/BLC/HLC/DWDR	
White Balance	Auto/Manual	
Gain Control	Auto/Manual	
Noise Reduction	3D	
Privacy Masking	Up to 4 areas	
Lens		
Focal Length	3.6mm (2.8mm,6mm optional)	
Max Aperture	F1.6 (F2.0,F1.8)	
Focus Control	Manual	
Angle of View	H:88°(110°/53°)	
Lens Type	Manual/Auto Iris (DC)	
Mount Type	Board-in Type	
Video		
Compression	H.264/ MJPEG	
Resolution	1080P(1920×1080)/720P(1280×720)/D1(704×576/704×480)/CIF(352×288/352×240)	
Frame Rate	Main Stream	1080P/720P(1 ~ 25/30fps)
	Sub Stream	D1/CIF(1 ~ 25/30fps)
Bit Rate	H.264: 32K ~ 8192Kbps	
Audio		
Compression	G.711a/G.711u/PCM(-A)	
Interface	1/1 channel In/Out(-A)	
Network		
Ethernet	RJ-45 (10/100Base-T)	
Wi-Fi	N/A	
Protocol	IPv4/IPv6, HTTP, HTTPS, SSL, TCP/IP, UDP, UPnP, ICMP, IGMP, SNMP, RTSP, RTP, SMTP, NTP, DHCP, DNS, PPPOE, DDNS, FTP, IP Filter, QoS, Bonjour	
ONVIF	ONVIF Profile S	
Max. User Access	20 users	



DH-IPC-HDB4200C

Smart Phone	iPhone, iPad, Android, Windows Phone
Auxiliary Interface	
Memory Slot	Micro SD, Max 64GB
RS485	N/A
Alarm	1/1 channel In/Out(-A)
PIR Sensor Range	N/A
General	
Power Supply	DC12V, PoE (802.3af)
Power Consumption	Max 3W
Working Environment	-20°C~+60°C, Less than 95% RH
Ingress Protection	IP66
Vandal Resistance	IK10
Dimensions	Φ110mm×54mm
Weight	0.25kg

Dimensions (mm)



Accessories (optional)

	
PFA131	PFB200W

Dahua Technology Co., Ltd.

1187BinAn Road, Binjiang District, Hangzhou, China

Tel: +86-571-87688883

Fax: +86-571-87688815

Email:overseas@dahuatech.com

www.dahuatechsecurity.com

*Design and specifications are subject to change without notice.

DH-IPC-HDB4200C

© 2013Dahua Technology Co., Ltd.

Dahua Technology Co., Ltd. 1187BinAn Road, Binjiang District, Hangzhou, China

Tel: 66956096-09126017817-09107616575

email:imensazaa@gmail.com

www.irandahua.com